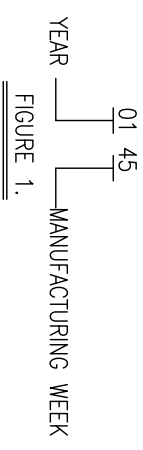
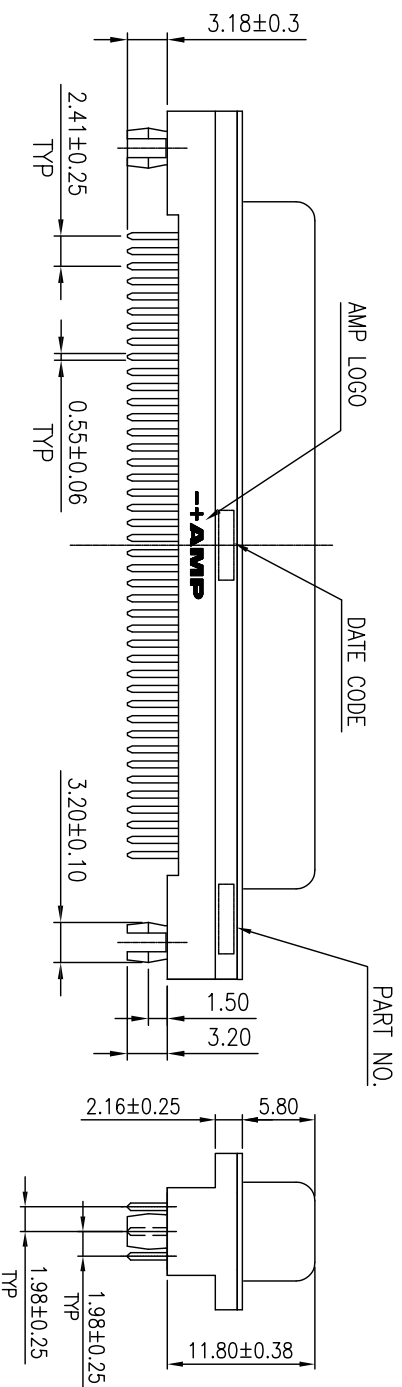
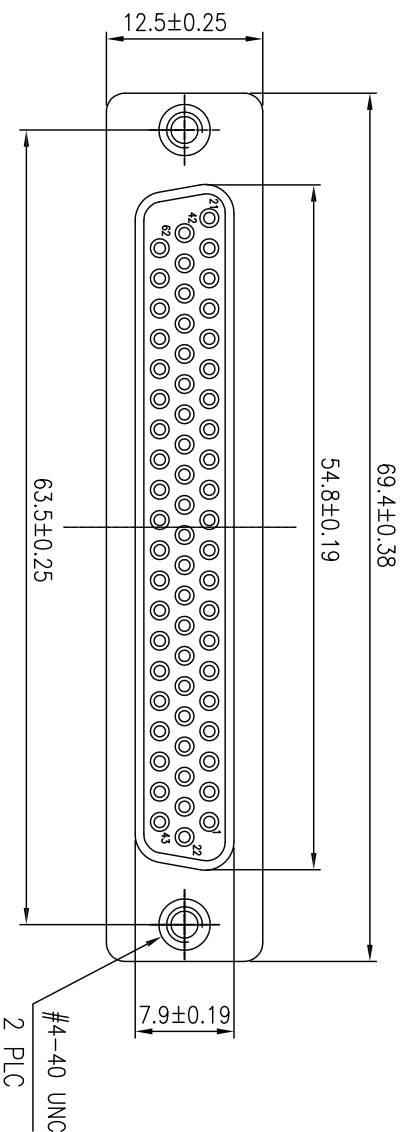


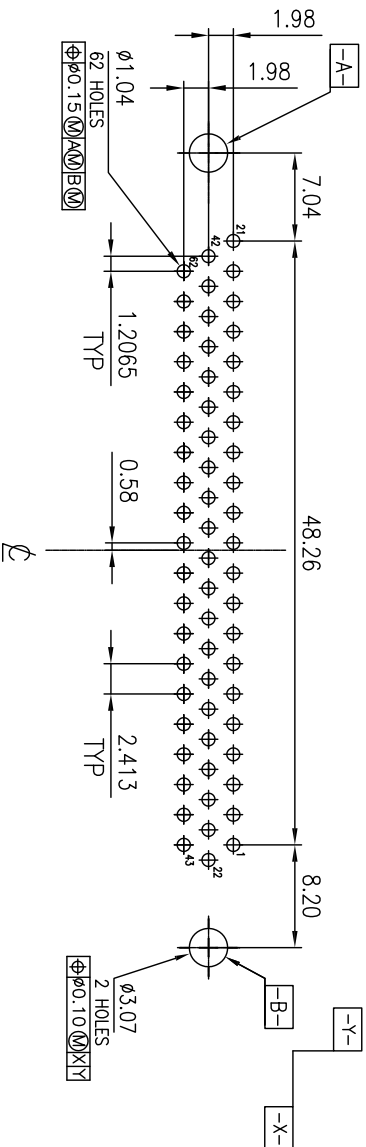
ROHS2.0

| REV. | ECN NO. | LOCATIONS | DESCRIPTION | DATE | DESIGN |
|------|---------|-----------|-----------------------|------------|--------|
| AO | | | 原始版本(INITIAL EDITION) | 2021.04.24 | m t |



*THE DATE CODE SHALL CONSIST OF 4 DIGITS.
A TYPICAL EXAMPLE IS SHOWN IN FIGURE 1.

- MATERIAL:
- 1.HOUSING: PBT, 30% G.F POLYESTER, UL 94V-0 RATED, BLACK
 - 2.CONTACT: PHOS. BRONZE.
 - 3.CONTACT PLATED: GOLD PLATED OVER 50u" NICKEL UNDERPLATED.
 - 4.SOLDER TAIL: SN ONLY PLATED 120u" OVER 50u" NICKEL UNDERPLATED.
 - 5.SHELL: STEEL, NICKEL PLATED.
 - 6.BOARDLOCK: BRASS, SN ONLY(MATTE) PLATED 100u"



RECOMMENDED PCB LAYOUT

| | | | | |
|-------------------|-----------------|----|--|--|
| | UNIT: mm [inch] | | 东莞市跃展精密连接器有限公司 Dongguan YueZhan Precision Connectors Co.,Ltd 高新技术企业 ISO9001 认证企业 精密电子连接器制造商 | PART NAME: HHS62P 黑半金雾锡 30U 鱼叉 侧合直立式 |
| | TOLERANCE: | | | |
| X.X | ±0.35 | 卓涛 | 2021.04.24 | PART NO. |
| X.XX | ±0.25 | 卓涛 | 2021.04.24 | DRAW NO. |
| X.XXX | ±0.15 | 卓涛 | 2021.04.24 | SHEET NO. |
| Angle | ±3.0° | 卓涛 | 2021.04.24 | 01 DF 01 |
| SCALE:1:1 SIZE:A4 | | | | |