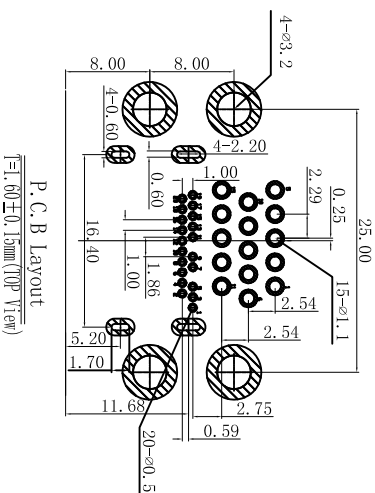
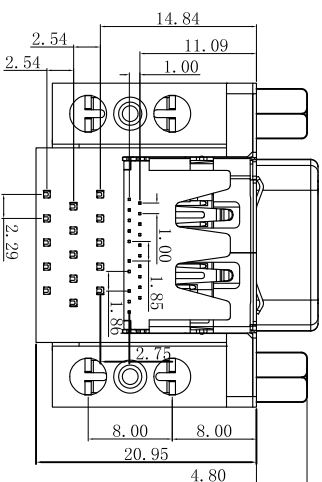
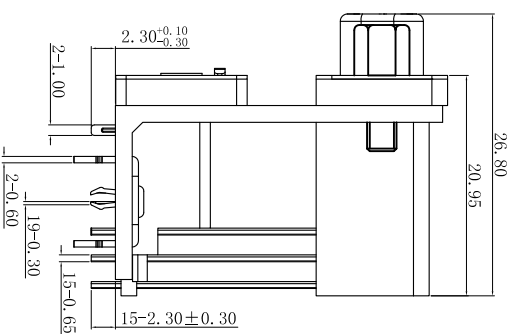
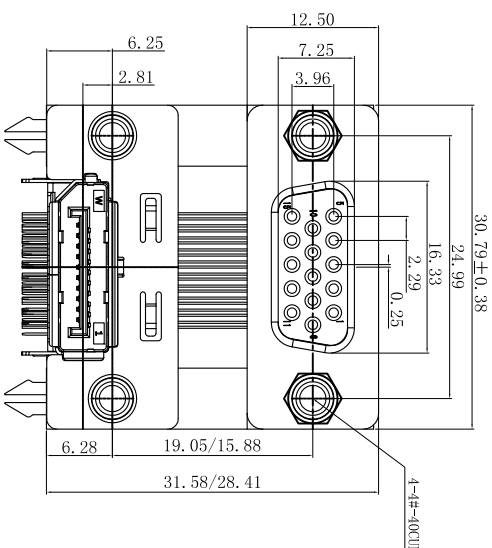
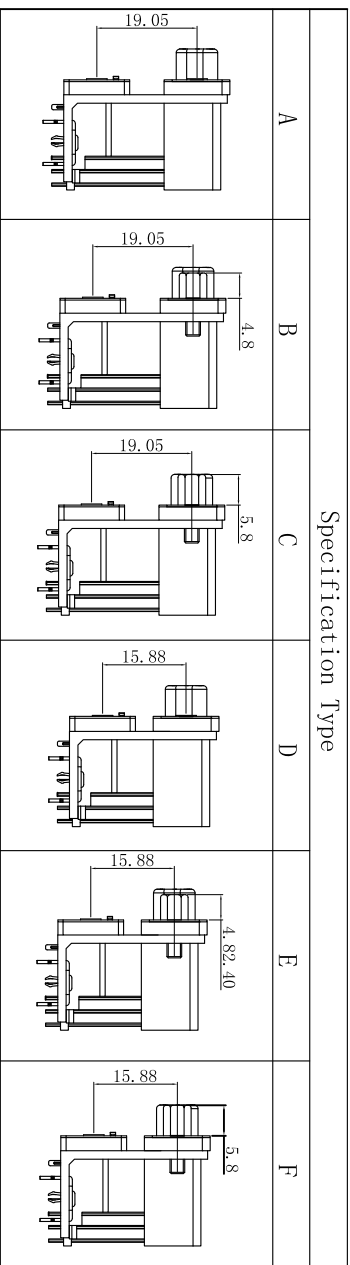


# GP Component



Specification Type



REV.	ECN NO.	LOCATIONS	DESCRIPTION	DATE	DESIGN
AO			原始版本(INITIAL EDITION)	2020.12.08	MOU YI

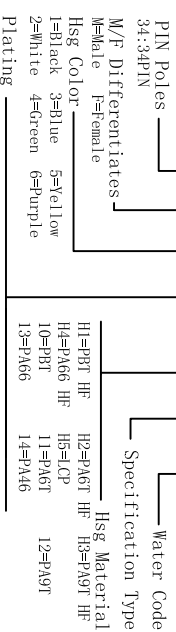
- CHARACTERISTICS:**
1. RATED VOLTAGE: 250V AC CD
  2. RATED CURRENT: 3.0AMP
  3. CONTACT RESISTANCE: 30mΩ Max.
  4. INSULATION RESISTANCE: 1000 MΩ MIN. 500V DC
  5. Electric Pressure: Keeping 60 second in AC 500V/1mA
  6. Operating temperature: -55°C~105°C
  7. INSERTION/EXTRACTION FORCE PER CONTACT: 3.0Kg Max 0.3Kg Min.

**SPECIFICATION:**

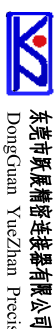
1. Current: 0.5A
2. Voltage: 40V RMS
3. Withstanding Voltage: 500V AC
4. Contact Resistance: 30 mΩ max. (Contact) 50 mΩ max. (Shell)

5. Insulation Resistance: 100 MΩ min.
6. Temperature Range: -20° C to +85° C
7. Mating And Umating Force:
  - 7.1 Mating Force: 4.5Kgf(44.1N)Max.
  - 7.2 Umating Force: 1.0Kgf~4.0Kgf(9.8N~39.2N)

01.151934 F X XXX XX B XXX



- Plating**
- G00:Gold Flash
  - G0A:Gold 1U"
  - G03:Gold 3U"
  - Gxx:Gold XXU"
- B00:Bright sn**  
 B01:Bright sn 1U"  
 B03:Bright sn 3U"  
 Bxx:Bright sn XXU"
- M00:Matte sn**  
 M01:Matte sn 1U"  
 M03:Matte sn 3U"  
 Mxx:Matte sn XXU"



东莞市悦展精密连接器有限公司  
Dongguan YueZhan Precision Connectors Co., Ltd



**UNIT: mm [inch]**

**TOLERANCE:**  
 X.X ±0.35  
 X.XX ±0.25  
 X.XXX ±0.15  
 Angle ±3.0°

<b>DESIGN:</b> 牟涛 2020.12.08	<b>PART NAME:</b> 双层HDR15F-DP系列图
<b>CHECKED:</b> 牟涛 2020.12.08	<b>PART NO.:</b> 0151934FXXXXXXXXBXXX
<b>APPROVED:</b> 袁久华 2020.12.08	<b>DRAW NO.:</b> 01 OF 02
<b>SHEET NO.:</b>	<b>SHEET NO.:</b>

SCALE:1:1 SIZE:A4