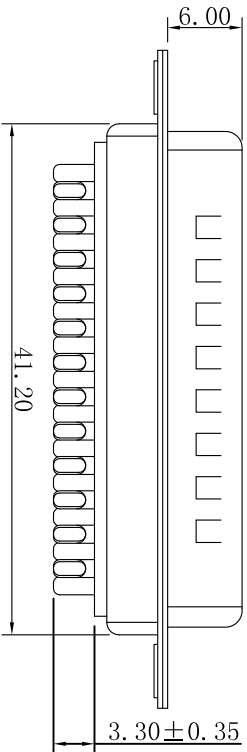
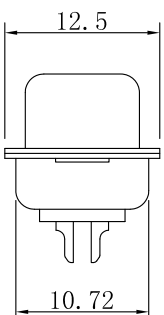
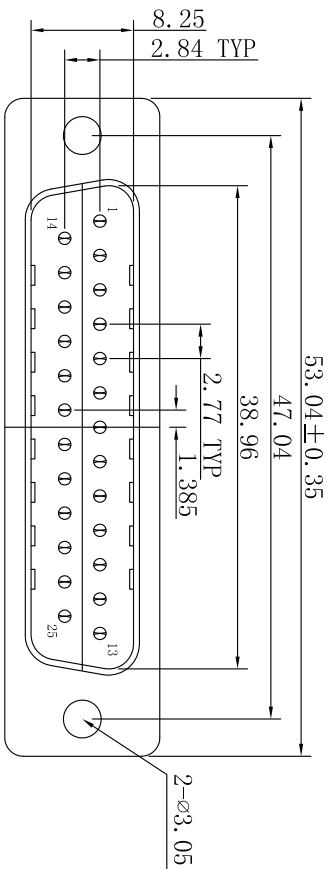
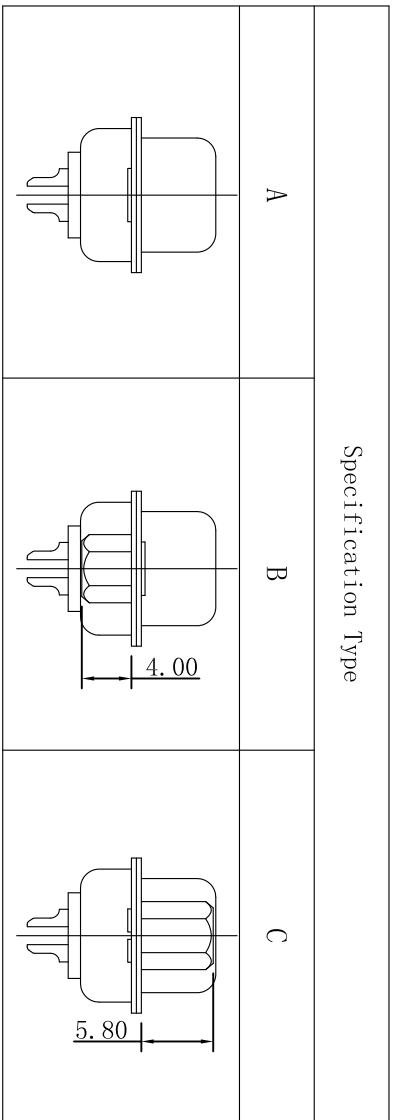


GP Component



Specification Type



REV.	ECN NO.	LOCATIONS	DESCRIPTION	DATE	DESIGN
AO			原始版本(INITIAL EDITION)	2020.12.01	m t

CHARACTERISTICS/特性:

1. RATED VOLTAGE: 250V AC CD
2. RATED CURRENT: 3.0AMP
3. CONTACT RESISTANCE: 30mΩ Max.
4. INSULATION RESISTANCE: 1000 MΩ MIN. 500V DC
5. Electric Pressure: Keeping 60 second in AC 500V/1mA
6. Operating temperature: -55°C~105°C
7. INSERTION/EXTRACTION FORCE PER CONTACT: 8.5Kg Max 0.75Kg Min.

01.DB0025 M X XXX XX A XXX

PIN Poles	25:25PIN	Water Code	
M/F Differentiates	M=Male F=Female	Specification Type	
Hsg Color	1=Black 2=White 3=Blue 4=Green 5=Yellow 6=Purple	Hsg Material	H1=PB1 HF H2=PA6T HF H3=PA9T HF H4=PA66 HF H5=LCP H6=PP1 H7=PA6T H8=PA46 H9=PA66 HF H10=PP1 H11=PA6T H12=PA9T H13=PA66 H14=PA46
Plating	G00:Gold flash G01:Gold 1U" G03:Gold 3U" Gxx:Gold XXU"	M00:Matte sn M01:Matte sn 1U" M03:Matte sn 3U" Mxx:Matte sn XXU"	
	B00:Bright sn B01:Bright sn 1U" B03:Bright sn 3U" Bxx:Bright sn XXU"		

UNTR: mm [inch]	TOLERANCE: X.X ±0.35 X.XX ±0.25 X.XXX ±0.15 Angle ±3.0°	DESIGN: 4 2020.12.01 CHECKED: 4 2020.12.01 APPROVED: 4 2020.12.01	东莞市跃展精密连接器有限公司 Dongguan YueZhan Precision Connectors Co.,Ltd	PART NAME: DB 25M系列图	
				PART NO. 01.DB0025MXXXXXXXXXX	DRAW NO. 01 OF 01
SCALE:1:1 SIZE:A4				SHEET NO.	