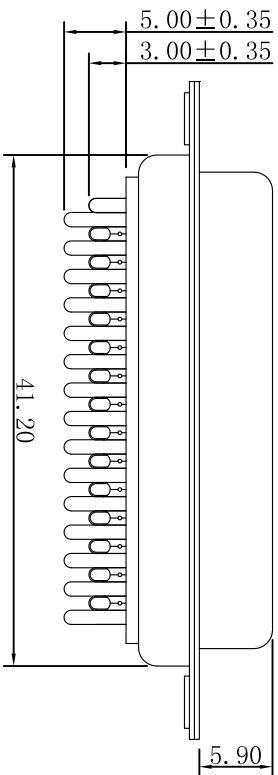
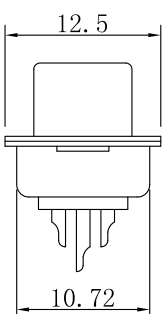
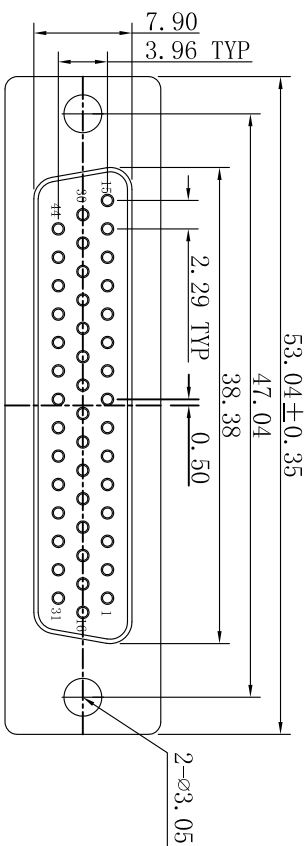
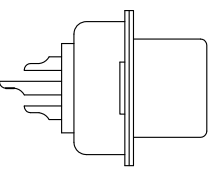
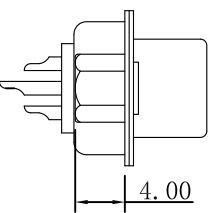
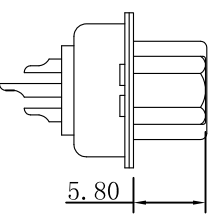


# GP Component



## Specification Type

A	B	C
Specification Type		
		

REV.	ECN NO.	LOCATIONS	DESCRIPTION	DATE	DESIGN
AO			原始版本(INITIAL EDITION)	2020.12.02	m t

### CHARACTERISTICS:

1. RATED VOLTAGE: 250V AC CD
2. RATED CURRENT: 3.0AMP
3. CONTACT RESISTANCE: 30mΩ Max.
4. INSULATION RESISTANCE: 1000 MΩ MIN. 500V DC
5. Electric Pressure: Keeping 60 second in AC 500V/1mA
6. Operating temperature: -55°C~105°C
7. INSERTION/EXTRACTION FORCE PER CONTACT: 9.08Kg Max 0.78Kg Min.

01.HDB044 F X XXX XX A XXX

PIN Poles	44:44PIN				
M/F Differentiates	M=Male F=Female				
Hsg Color	1=Black 3=Blue 2=White 4=Green 5=Yellow 6=Purple				
Plating	G00:Gold flash G01:Gold 1U" G03:Gold 3U" Gxx:Gold XXU"	B00:Bright sn B01:Bright sn 1U" B03:Bright sn 3U" Bxx:Bright sn XXU"	M00:Matte sn M01:Matte sn 1U" M03:Matte sn 3U" Mxx:Matte sn XXU"		
Water Code					
Hsg Material	H1=PB1 HF H4=PA66 HF 10=PB1 13=PA66	H2=PA6T HF H5=LCF 11=PA6T 14=PA46	H3=PA9T HF 12=PA9T		

 东莞市跃展精密连接器有限公司 Dongguan YueZhan Precision Connectors Co., Ltd	UNITS: mm [inch]	DESIGN: 2020.12.02	PART NAME: HDB 44P系列图
	TOLERANCE: X.X ±0.35 X.XX ±0.25 X.XXX ±0.15 Angle ±3.0°	CHECKED: 2020.12.02	APPROVED: 2020.12.02
SCALE:1:1 SIZE:A4			